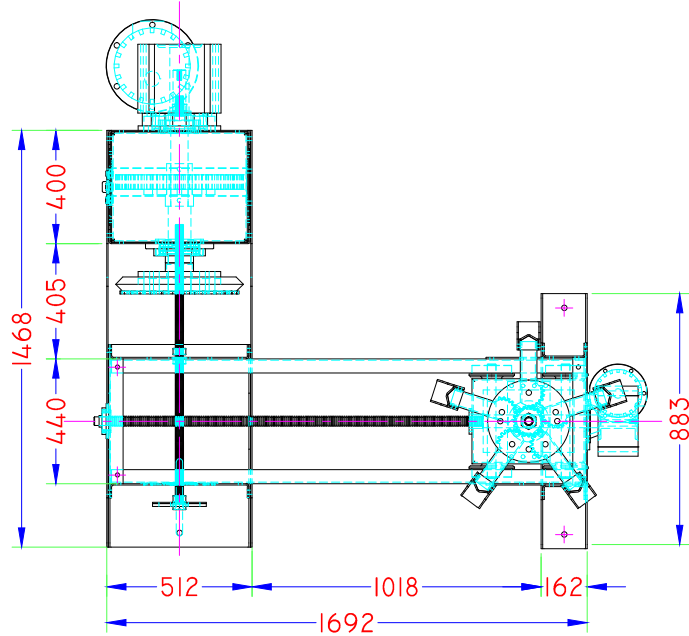
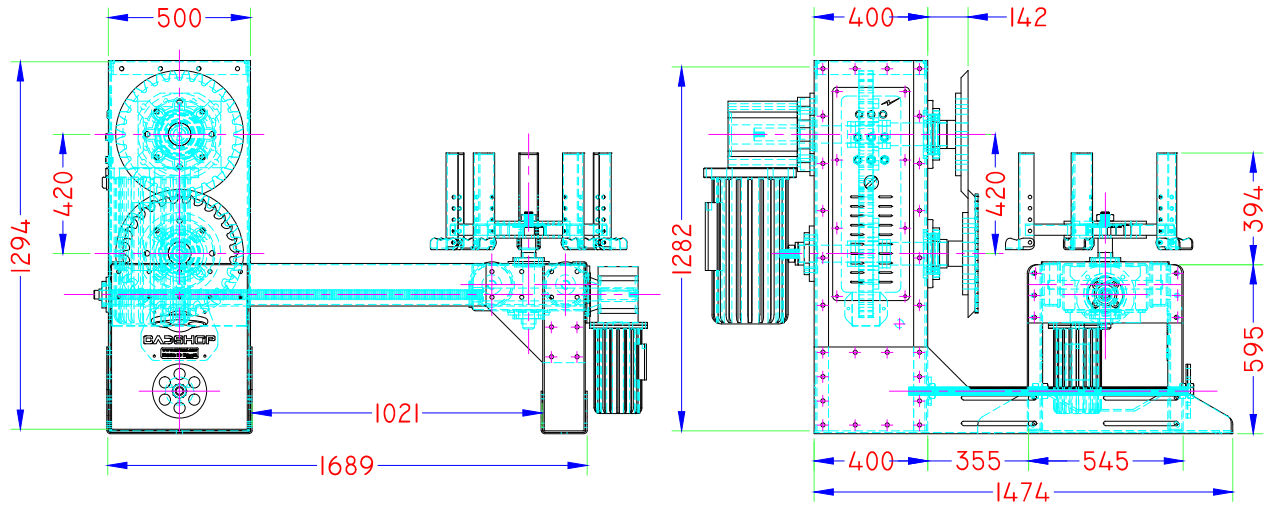


- 2320100
- 2320200
- 2320300
- 2320400
- 2320500
- 2320600
- 2320700
- 2320800
- 2320900
- 2321000



TIRE RING CUTTER FEATURES

SUM	2320000	RING CUTTER ASSEMBLY	0 X 0 X 0	1	ASSEMBLY 0 KG STEEL

ITEM	PART NO.	TECHNICAL DESCRIPTION	QUANTITY	MATERIAL	UNIT WEIGHT																			
<table style="width: 100%; border: none;"> <tr> <td style="width: 30%; border: none;"> CADSHOP <small>WEB SITE : WWW.CADSOU.COM E-MAIL: CADSOUL@CADSOUL.COM</small> </td> <td style="width: 30%; border: none;"> DRAWING TITLE: RING CUTTER ASSEMBLY </td> <td style="width: 20%; border: none;"> CLIENT NAME: </td> <td style="width: 20%; border: none;"> DESIGNED BY: CHECKED BY: APPROVED BY: </td> </tr> <tr> <td style="border: none;"> DRAWING NO.: </td> <td style="border: none; text-align: center;"> 2320000 </td> <td style="border: none;"> <table style="width: 100%; border: none;"> <tr> <td style="width: 20%; border: none;"> <table style="border: 1px solid black; padding: 2px;"> <tr><td style="background-color: black; color: white;">FINISH</td></tr> <tr><td>WHITE</td></tr> </table> </td> <td style="width: 20%; border: none;"> <table style="border: 1px solid black; padding: 2px;"> <tr><td>SHEET</td></tr> <tr><td>1:1</td></tr> </table> </td> <td style="width: 20%; border: none;"> <table style="border: 1px solid black; padding: 2px;"> <tr><td>SCALE</td></tr> <tr><td>DIMS IN MM</td></tr> </table> </td> <td style="width: 20%; border: none;"> <table style="border: 1px solid black; padding: 2px;"> <tr><td>DATE</td></tr> <tr><td>08/11/2022</td></tr> </table> </td> </tr> </table> </td> </tr> </table>						CADSHOP <small>WEB SITE : WWW.CADSOU.COM E-MAIL: CADSOUL@CADSOUL.COM</small>	DRAWING TITLE: RING CUTTER ASSEMBLY	CLIENT NAME:	DESIGNED BY: CHECKED BY: APPROVED BY:	DRAWING NO.:	2320000	<table style="width: 100%; border: none;"> <tr> <td style="width: 20%; border: none;"> <table style="border: 1px solid black; padding: 2px;"> <tr><td style="background-color: black; color: white;">FINISH</td></tr> <tr><td>WHITE</td></tr> </table> </td> <td style="width: 20%; border: none;"> <table style="border: 1px solid black; padding: 2px;"> <tr><td>SHEET</td></tr> <tr><td>1:1</td></tr> </table> </td> <td style="width: 20%; border: none;"> <table style="border: 1px solid black; padding: 2px;"> <tr><td>SCALE</td></tr> <tr><td>DIMS IN MM</td></tr> </table> </td> <td style="width: 20%; border: none;"> <table style="border: 1px solid black; padding: 2px;"> <tr><td>DATE</td></tr> <tr><td>08/11/2022</td></tr> </table> </td> </tr> </table>	<table style="border: 1px solid black; padding: 2px;"> <tr><td style="background-color: black; color: white;">FINISH</td></tr> <tr><td>WHITE</td></tr> </table>	FINISH	WHITE	<table style="border: 1px solid black; padding: 2px;"> <tr><td>SHEET</td></tr> <tr><td>1:1</td></tr> </table>	SHEET	1:1	<table style="border: 1px solid black; padding: 2px;"> <tr><td>SCALE</td></tr> <tr><td>DIMS IN MM</td></tr> </table>	SCALE	DIMS IN MM	<table style="border: 1px solid black; padding: 2px;"> <tr><td>DATE</td></tr> <tr><td>08/11/2022</td></tr> </table>	DATE	08/11/2022
CADSHOP <small>WEB SITE : WWW.CADSOU.COM E-MAIL: CADSOUL@CADSOUL.COM</small>	DRAWING TITLE: RING CUTTER ASSEMBLY	CLIENT NAME:	DESIGNED BY: CHECKED BY: APPROVED BY:																					
DRAWING NO.:	2320000	<table style="width: 100%; border: none;"> <tr> <td style="width: 20%; border: none;"> <table style="border: 1px solid black; padding: 2px;"> <tr><td style="background-color: black; color: white;">FINISH</td></tr> <tr><td>WHITE</td></tr> </table> </td> <td style="width: 20%; border: none;"> <table style="border: 1px solid black; padding: 2px;"> <tr><td>SHEET</td></tr> <tr><td>1:1</td></tr> </table> </td> <td style="width: 20%; border: none;"> <table style="border: 1px solid black; padding: 2px;"> <tr><td>SCALE</td></tr> <tr><td>DIMS IN MM</td></tr> </table> </td> <td style="width: 20%; border: none;"> <table style="border: 1px solid black; padding: 2px;"> <tr><td>DATE</td></tr> <tr><td>08/11/2022</td></tr> </table> </td> </tr> </table>	<table style="border: 1px solid black; padding: 2px;"> <tr><td style="background-color: black; color: white;">FINISH</td></tr> <tr><td>WHITE</td></tr> </table>	FINISH	WHITE	<table style="border: 1px solid black; padding: 2px;"> <tr><td>SHEET</td></tr> <tr><td>1:1</td></tr> </table>	SHEET	1:1	<table style="border: 1px solid black; padding: 2px;"> <tr><td>SCALE</td></tr> <tr><td>DIMS IN MM</td></tr> </table>	SCALE	DIMS IN MM	<table style="border: 1px solid black; padding: 2px;"> <tr><td>DATE</td></tr> <tr><td>08/11/2022</td></tr> </table>	DATE	08/11/2022										
<table style="border: 1px solid black; padding: 2px;"> <tr><td style="background-color: black; color: white;">FINISH</td></tr> <tr><td>WHITE</td></tr> </table>	FINISH	WHITE	<table style="border: 1px solid black; padding: 2px;"> <tr><td>SHEET</td></tr> <tr><td>1:1</td></tr> </table>	SHEET	1:1	<table style="border: 1px solid black; padding: 2px;"> <tr><td>SCALE</td></tr> <tr><td>DIMS IN MM</td></tr> </table>	SCALE	DIMS IN MM	<table style="border: 1px solid black; padding: 2px;"> <tr><td>DATE</td></tr> <tr><td>08/11/2022</td></tr> </table>	DATE	08/11/2022													
FINISH																								
WHITE																								
SHEET																								
1:1																								
SCALE																								
DIMS IN MM																								
DATE																								
08/11/2022																								